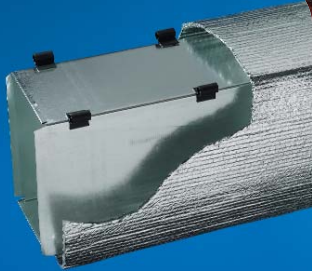


Reflectix

Reflectix® Insulation is Your Shining Solution!

www.reflectixinc.com



R-6.0



Features at a Glance:

Reflectix® Duct Insulation may be installed by wrapping rectangular or round ductwork in HVAC applications

Heating costs can be greatly reduced

Eliminate unnecessary heat loss/gain and air leakage

Helps to ensure consistent temperatures

Reflectix® Insulation consists of two outer layers of aluminum foil that reflect 97% of radiant heat. Each layer of foil is bonded to a tough layer of polyethylene for strength. Two inner layers of insulating bubbles resist conductive heat flow while a center layer of polyethylene gives Reflectix® high reliability and strength.

Benefits:

- Non-toxic/non-carcinogenic
- Fiber free
- Energy efficient
- Reduce heating/cooling cost
- Reflects 97% radiant heat
- Environmentally safe
- Costs less to install
- Lightweight and clean
- Not affected by moisture/humidity
- No nesting characteristics for birds/insects/rodents
- Resists growth of fungi, mold and mildew
- No need for protective garments or respirators when installing
- Permanent and maintenance free
- ISO 9001:2000 certified manufacturing location

All tests on Reflectix® Insulation are performed at either nationally approved

Technical Data:

Temperature Range:	250° Operational
Nominal Thickness:	5/16 inch (.312)
Weight:	1.25 oz./sq. ft.
Flame Spread Index (ASTM E 84):	20
Smoke Developed Index (ASTM E 84):	30
Fire Rating:	Class A/Class 1
Linear Shrinkage:	None
Reflectance (IR):	97%
Water Vapor Transmission (ASTM E 96):	0.02
Puncture Resistance:	60 lb./in.
Mold and Mildew:	No Growth
Emittance:	0.3
Tensile Strength:	3.7 N/mm
Pliability:	No Cracking
Hot Surface Performance:	Passed

Note: Not for use in direct contact on surface temperatures that are 180° F or greater.

independent laboratories or at leading universities. Tests are performed to current American Society of Testing and Materials (ASTM) Standards when a standard exists. For a copy of any of the actual test reports, call 1 800 879-3645.

Product Standards:

Resistance to fungi or bacteria: Reflectix® does not promote the growth of fungi or bacteria.

Specification compliance: Reflectix® is covered under the Federal Minimum Standards Code for reflective insulation (HH-I-1252B) for all H.U.D. and F.H.A. projects.

Reflectix® products have been evaluated by the following:

- ICC ESI Legacy Report No. 94102A
- Dade County Evaluation Report No. 03-0514.14
- Los Angeles County Evaluation Report No. RR8099

See Evaluation Reports listed above for allowable values and/or conditions of use concerning material presented in this document.



Reflectix® Duct Insulation Products are ETL and Warnock Hersey Listed.

Reflectix, Inc.
P.O. Box 108
Markleville, IN 46056
(800) 879-3645
Fax: (765) 533-2327
www.reflectixinc.com

Available Testing/Certifications:

- Thermal Performance ASTM C518
- Thermal Conductivity and Thermal Resistance of Blanket ASTM C518
- Hot Surface Performance ASTM C411
- Heat Transfer of Air-Handling Ducts with Reflectix®
- Flame Spread and Smoke Density ASTM E84
- Adhesive Bleeding ICBO Acceptance Criteria
- Fungus Resistance Mil-Std 810B Method 508
- Pliability Test
- Sound Absorption Test ASTM C423-90a and ASTM E795-83
- Sound Transmission Loss ASTM E90-90 and ASTM E413-87
- Water Vapor Transmission ASTM E96
- Tensile Strength
- Emittance Testing
- NVLAP Approved Lab Test: Adhesive Bleeding per ICBO Evaluation Service Report # LA 73577
- NVLAP Approved Lab Test: Flame Spread Classification/Smoke Density Developed (Taped Joint Detail) Test Report # LA 62595-1

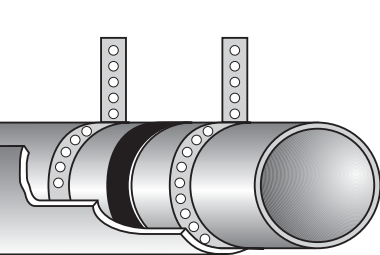
- NVLAP Approved Lab Test: Flame Spread Classification/Smoke Density Developed (Unslit) Test Report # LA62517-2
- NVLAP Approved Lab Test: Flammability of Interior Materials Report # LA72357-2
- NVLAP Approved Lab Test: Fungus Resistance MIL-STD-810B Method 508 Report # LA 73598
- Southern Building Codes Congress International (SBCCI) Report # PST & ESI 9375
- State of California
- State of California Licensed Insulation Manufacturer
- State of Minnesota: Filed with Minnesota Insulation Standards Program
- State of Wisconsin: Wisconsin Material Approval, Safety and Buildings Division Approval # 920088-1
- R&D Services Emittance Testing
- Warnock Hersey Professional Services, LTD: Physical Properties Sheet Width, Length, Pliability, Water Vapor Permanence and Aged Water Vapor Permanence Report # 1/92
- Warnock Hersey Professional Services, LTD: Water Vapor Transmission Test ASTM-E96 (Dessicant Method) Report # 1/91

Installation Instructions with HVSP Bubble Wrap

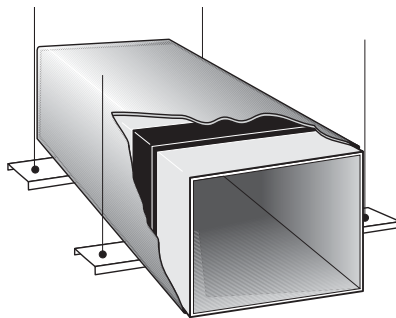
- 1) Make sure all sheet metal joints, seams and penetrations are sealed.
 - 2) Secure spacers every 24" to 36" around ducting, fastening the spacers with UL181 approved HVAC foil tape. This will provide the necessary air space for the most effective use of Reflectix®. Reflectix® spacer product is recommended.
 - 3) Reflectix® Standard Edge material can then be cut to the proper size and wrapped around the duct.
 - 4) **Strap Hanger:** Wrap Reflectix® with the seam at the hanger. Tape seam tightly around hanger.
Saddle Hanger: Make sure that there is a spacer below the hanger between the insulation and the duct to prevent the foil from touching the duct.
 - 5) Tape all seams with UL181 approved HVAC foil tape.
- Note:** Duct wrapped without any spacers direct to duct work is an R-4.2.

Installation Instructions with HV Spacer

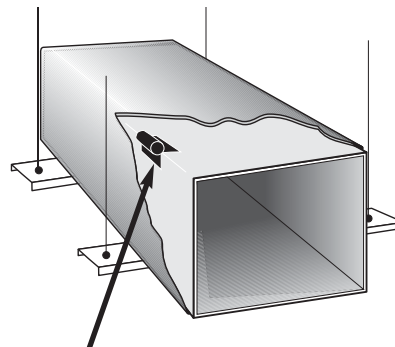
1. Make sure the duct is free from dust and dirt by wiping it down with a shop rag.
2. Install the spacers to all four corners of the duct.
3. Place the spacers every 24" apart.
4. Wrap the Reflectix® over the spacers.
5. Fasten the Reflectix® by either taping the seam or plier stapling the two edges together.
6. If the duct is supported with saddle clamps, make sure to install a spacer on the two bottom edges of the duct directly between the clamp and the duct.
7. If the clamps are installed around the duct (such as plumbers tape), make sure that the seam is taped to prevent air movement.



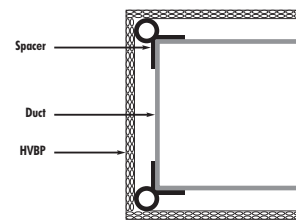
A Round Duct with a Wire or Strap Hanger. (Spacer provides adequate airspace to achieve R-6.)



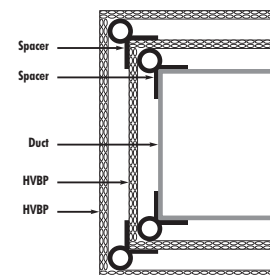
A Rectangular Duct with a Saddle Hanger. (Spacer provides adequate airspace to achieve R-6.)



HV Spacer
A Rectangular Duct with HV Spacer and Saddle Hanger



R-6.0 with 3/4" Spacers



R-8.0 with 3/4" Spacers and (2) Layers of Wrap

