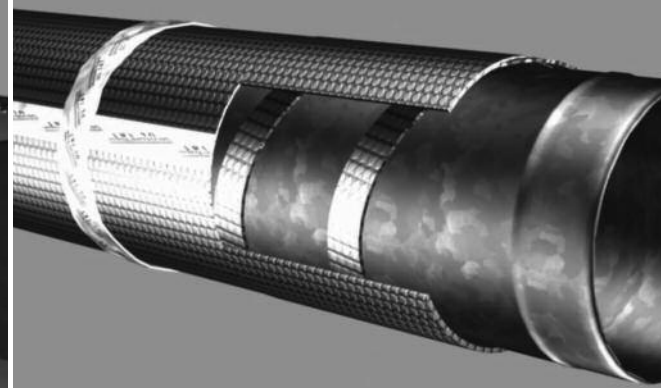
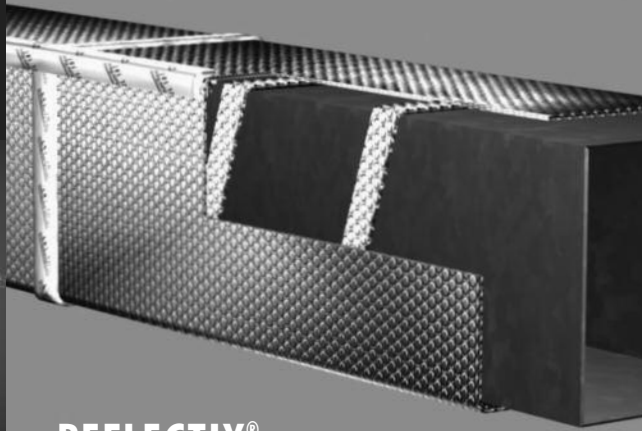
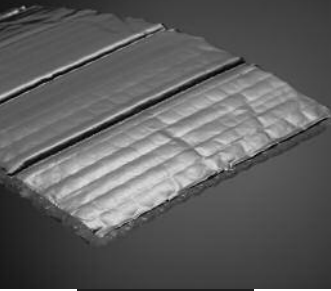


R-5.6



REFLECTIX® SUBMITTAL SHEET



Features AT A GLANCE:

Reflectix® Duct Insulation may be installed by wrapping rectangular or round ductwork in HVAC applications

Heating costs can be greatly reduced

Eliminate unnecessary heat loss/gain and air leakage

Helps to ensure consistent temperatures

WAREHOUSE LOCATIONS:

Markleville, IN

Phoenix, AZ

Greenville, SC

Needham, MA

Reflectix, Inc.
#1 School St. (PO Box 108)
Markleville, IN 46056
(800) 879-3645
Fax: (765) 533-2327
www.reflectixinc.com

DUCT INSULATION R-5.6 - OUTDOOR

Reflectix® Duct Insulation is an alternative to other types of fibrous insulation products. Ease of handling and quick installation make Reflectix® the first choice when selecting insulation for outdoor round or rectangular ductwork. The product provides an R-5.6 when installed with a 0.375" air gap between the duct and the insulation.

PRODUCT DESCRIPTION

Reflectix® Outdoor Duct Insulation consists of two outer layers of aluminum foil that reflect 97% of radiant heat. The outside layer of foil is made of heavier foil. Each layer of foil is bonded to a tough layer of polyethylene for strength. Two inner layers of insulating bubbles resist conductive heat flow while a center layer of polyethylene gives Reflectix® high reliability and strength.

APPLICATIONS

Install Reflectix® Outdoor Duct Insulation on the exterior of rectangular or round sheet metal ducts and spaces, or surfaces where temperature and condensation must be controlled.

BENEFITS

- Non-toxic / non-carcinogenic
- Fiber-free
- Lowers heating and cooling costs
- Reflects 97% radiant heat
- Costs less to install
- Lightweight and clean
- Not affected by moisture or humidity
- Does not promote nesting of birds, insects or rodents
- Resists growth of fungi, mold and mildew
- Does not require protective clothing or respirators to install
- ISO 9001:2008 certified manufacturing location

REFLECTIX® DUCT INSULATION PART NUMBERS AND STOCK SIZES

- CDW48050 (48"x 50')

Technical Data:

Temperature Range:	250° Operational
Nominal Thickness:	5/16 inch (.312)
Weight:	1.25 oz./sq. ft.
Flame Spread Index (ASTM E 84):	Less than 25
Smoke Developed Index (ASTM E 84):	Less than 50
Fire Rating:	Class A/Class 1
Linear Shrinkage:	None
Reflectance (IR):	97%
Water Vapor Transmission (ASTM E 96):	0.02
Puncture Resistance:	60 lb./in.
Mold and Mildew:	No Growth
Emittance:	0.03
Tensile Strength:	3.7 N/mm
Pliability:	No Cracking
Hot Surface Performance:	Passed

Note: Not for use in direct contact on surface temperatures that are 180° F or greater.

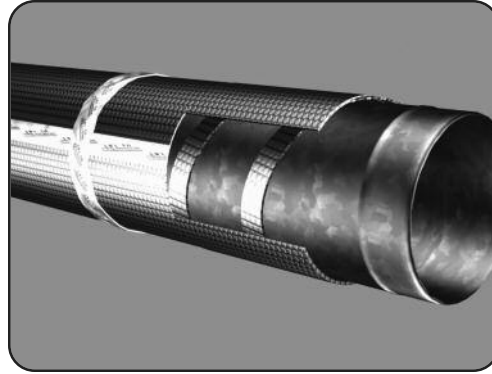
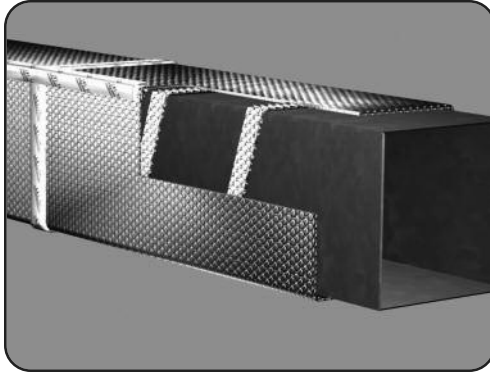


Reflectix® Duct Insulation Products are ETL and Warnock Hersey Listed.



TESTING & CERTIFICATIONS

- Thermal Performance ASTM C518
- Hot Surface Performance ASTM C411
- Flame Spread and Smoke Density ASTM E84
- Fungus Resistance Mil-Std 810B Method 508
- Pliability Test ASTM C1224
- Water Vapor Transmission ASTM E96
- Tensile Strength ASTM C751
- Emittance Testing ASTM C1371
- State of California
- State of California Licensed Insulation Manufacturer
- State of Minnesota: Filed with Minnesota Insulation Standards Program
- R&D Services Emittance Testing
- Warnock Hersey Professional Services, LTD: Physical Properties Sheet Width, Length, Pliability, Water Vapor Permanence and Aged Water Vapor Permanence Report # 1/92
- Warnock Hersey Professional Services, LTD: Water Vapor Transmission Test ASTM-E96 (Dessicant Method) Report # 1/91



MANUFACTURER'S SUGGESTED INSTALLATION INSTRUCTIONS

Note: Installation instructions and illustrated drawings are recommendations only, while proper local construction methods are the responsibility of the installer.

SPACER WRAPPED IN A CANDY CANE FASHION

SPACER: HVSPW02025 (REFLECTIX® SPIRAL PIPE WRAP 2" x 25')

- Refer to the two diagrams above.
- Make sure all sheet metal joints, seams and penetrations are sealed.
- Wrap and secure spacer material to the duct in a candy cane fashion. Proceed down the duct in one direction with a repeat of the wrap at 12" intervals. Use Acrylic Adhesive Foil Tape to fasten the spacer in place.
- Verify the circumference of the duct with the spacer strip in place.
- Cut the Reflectix® product to this length plus 1".
- Wrap the product around the duct and securely tape the linear and circumference seams (overlapping 1" - 2") with Acrylic Adhesive Foil Tape (goal is an air-tight, snug seam seal).
- **Note:** The heavier "reflective layer" side of the product should face the environmental elements.
- Do not leave any exposed duct or space where air can enter between the duct and the Reflectix®.

PLEASE NOTE REGARDING HANGERS: Strap Hanger: Wrap Reflectix® with the seam at the hanger. Tape seam tightly around hanger.

Saddle Hanger: Make sure that there is a spacer below the hanger, between the insulation and the duct, to prevent the insulation from touching the duct.

NOTE: Not to be used as duct liner.

